

Drivdon "Puck" 8W, 350mA-550mA, 1-10V, switch-dim

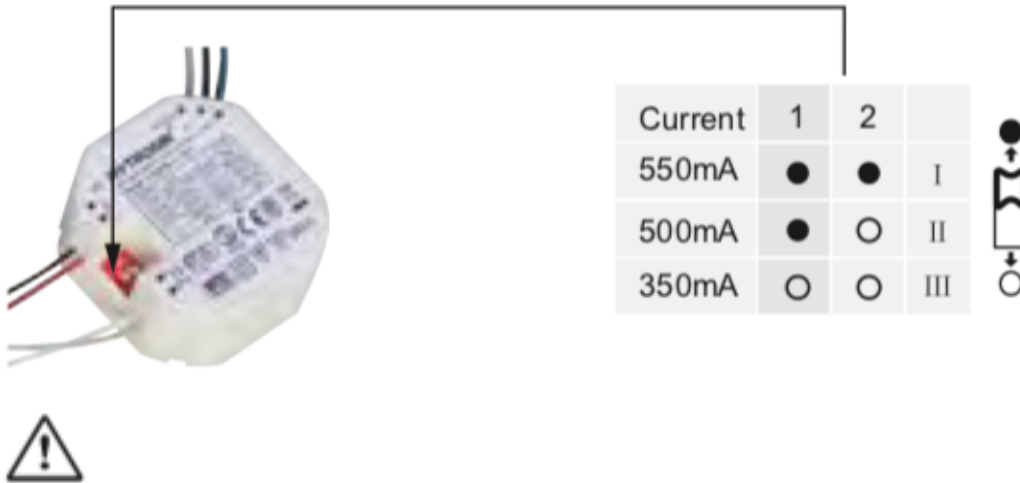


Features

- <math><0.5W</math> Stand-by Power
 - Active PFC Design
 - 1-10V
 - Switch-Dim with Synchronization
 - Logarithmic Dimming
 - Analogue Flicker-free Dimming
 - Configurable Constant Current (CC) Output via Dip-Switch
 - Thermal Cut-out Protection
 - Short Circuit Protection
 - Over-load Protection
 - Permanent Settings Memory, Protected against Loss of Power
 - 5 Year, 50,000hr Warranty
- } All with Auto-restart

Belysningspartner

Artikel nr: HY3000
Matar spänning: 220-240VAC 50/60Hz
Ingångs ström: 0,22-0,24A
Utspänning: 350mA, - 550mA
Power faktor: 0,9
Ta: -20~50°C Tc:80°C
Dim funktion: Switchdim, 1-10V
IP klass: IP20
EMC standard: EN55015, EN61547, EN61000-3-2/3
Säkerhets standar EN61347-1, EN61347-2-13, EN60598-1
Certifikat: Semko, CB,RCM, CE, EMC



OBS! Var noga med att ni ställt in rätt ström innan ni kopplar in drivdonet.

Permanent minne:

Denna drivrutin har inbyggt permanent minne mot strömavbrott, vilket innebär att ljuset alltid börjar på föregående nivå när den stängdes av förra gången..

www.belysningspartner.nu
anna-maria@belysningspartner.nu
0709-121031

Switch-Dim

The provided Switch-Dim interface allows a simple dimming method using commercially available non-latching (momentary) wall switches. Up to 50 LED drivers may be connected to one switch.

Switch Action
 Short press (<1 second)
 Long press (>1 second)

Response
 Toggle light on / off
 Toggle dim light / increase brightness

Synchronization

Switch Action
 Long press (>1.5 seconds)

Response
 All lights will dim down to minimum and then return to 50% brightness

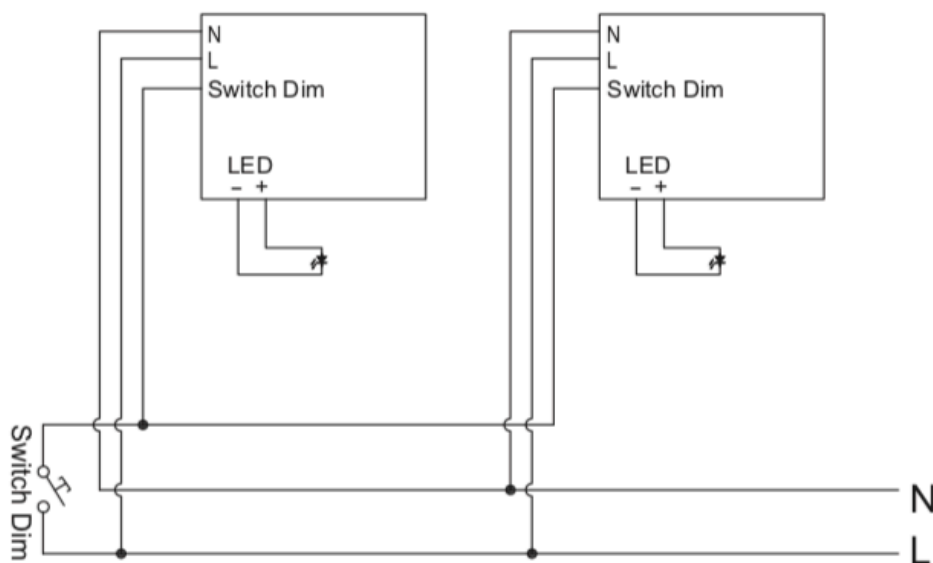
1-10V

The 1-10V input is operable via commercially available simple rotary wall switches designed for 1-10V dimming equipment or from dedicated system central dimming controllers. The 1-10V output is fully isolated and is SELV compliant.

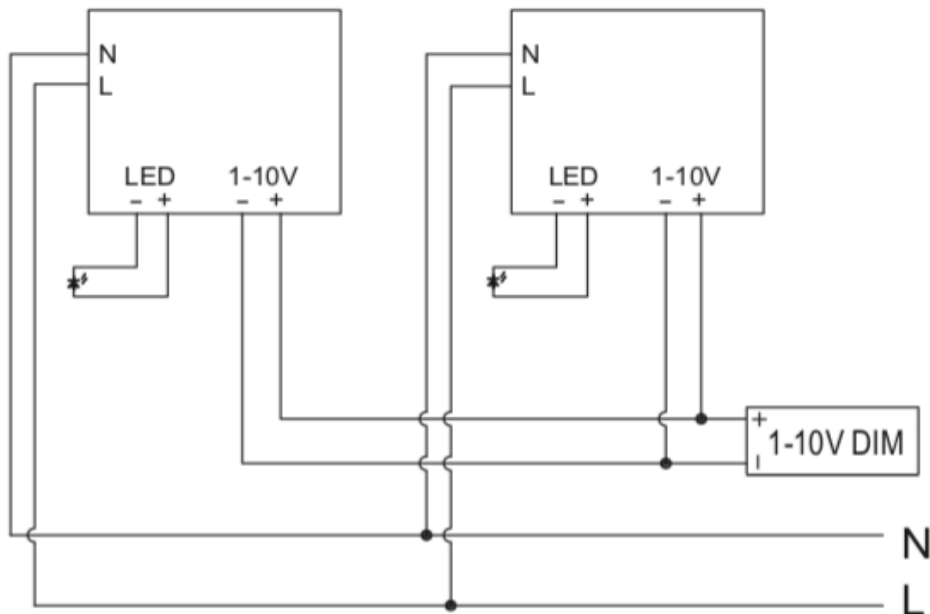
Note: In the unlikely event that the LED driver be used with the Switch-Dim interface prior to using the 1-10V interface, the 1-10V interface may need to be re-set. This is achieved by placing a short circuit across the 1-10V terminals until the light returns to full brightness (approx. 3-5 seconds).

WIRING DIAGRAM

Switch-DIM wiring diagram



1-10V dimming wiring diagram



Note: 1. Default setting is "1-10V" dimming.

2. This "1-10V" output is isolated, SELV output.

3. To shift dimming from "Switch-Dim" to "1-10V", the 1-10V leads should be short-circuit for at least 3s.

